



**Valley RUBBER**

# Side Tensioned Screen Application Information

End User: \_\_\_\_\_ Date: \_\_\_\_\_

Location: \_\_\_\_\_ Dealer: \_\_\_\_\_

Dealer Contact: \_\_\_\_\_

## Equipment

Screening Equipment Manufacturer: \_\_\_\_\_ Incline or Horizontal: \_\_\_\_\_

Screen Surface Angle: \_\_\_\_\_ Deck Size: \_\_\_\_\_ X \_\_\_\_\_ Number of Decks: \_\_\_\_\_

Inside Plate Dimension: \_\_\_\_\_

Type of Screens in Use: *Rubber/Wire/Punch Plate/Urethane*

Current Media Thickness: \_\_\_\_\_ What is the wear life? *in tons*: \_\_\_\_\_

## Material

Tons per Hour to Deck: \_\_\_\_\_ Type of Material: \_\_\_\_\_

Size (Min. & Max.): \_\_\_\_\_ Shape of Material: \_\_\_\_\_

% of Moisture content: \_\_\_\_\_ % of fines: \_\_\_\_\_

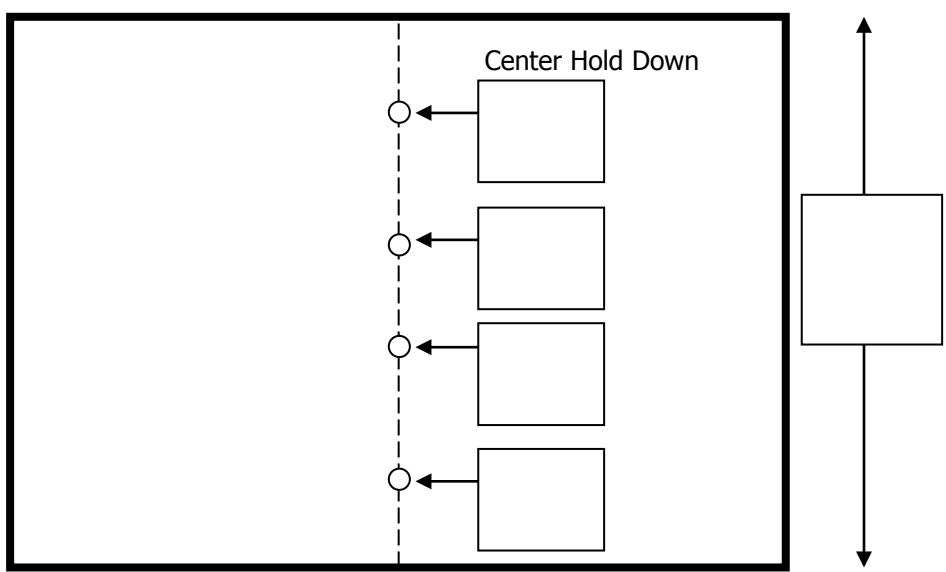
Is there pegging? Yes No Is there blinding? Yes No

Any additional information:  
\_\_\_\_\_  
\_\_\_\_\_

## Screen Information

Required Aperture Size: \_\_\_\_\_ *Round Square Slotted*

Note any special instructions on this view. (Example: Impact Areas)

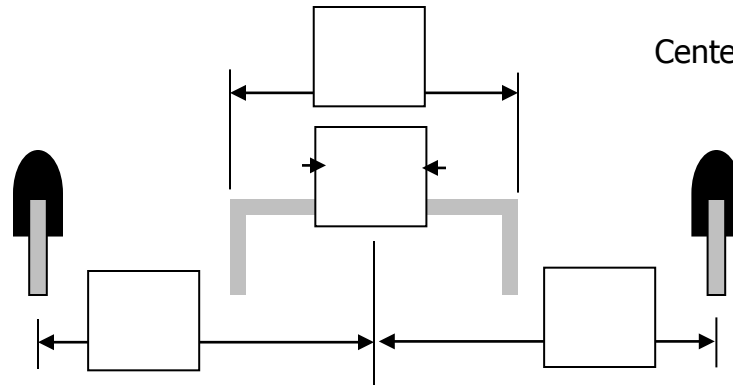


Further notations requested on the next page.

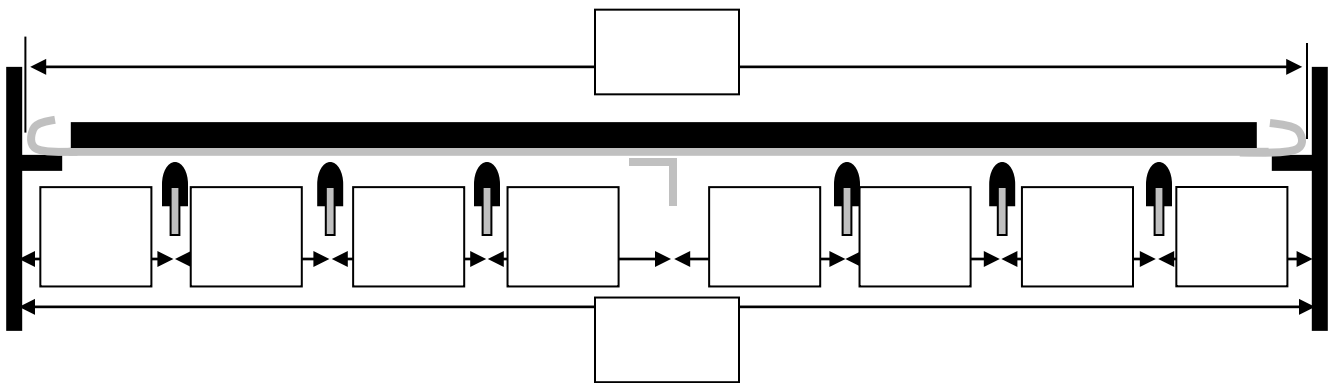
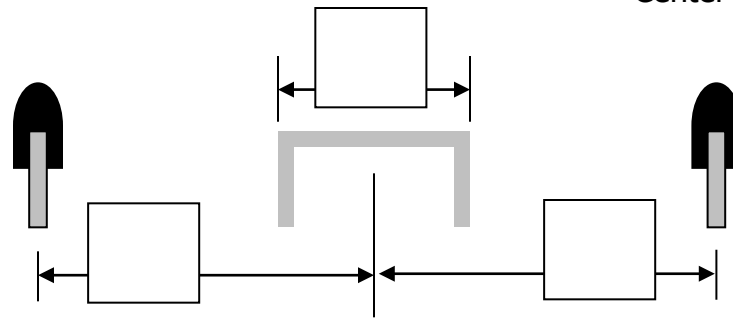


# Side Tensioned Screen Application Information

Center Hook Configuration



Center Channel Configuration



Show Bucker Bar Locations

