

Side Tensioned Screen Application Information

End User: _____ Date: _____

Location: _____ Dealer: _____

Dealer Contact: _____

Equipment

Screening Equipment Manufacturer: _____ Incline or Horizontal: _____

Screen Surface Angle: _____ Deck Size: _____ X _____ Number of Decks: _____

Inside Plate Dimension: _____

Type of Screens in Use: *Rubber/Wire/Punch Plate/Urethane*

Current Media Thickness: _____ What is the wear life? *in tons*: _____

Material

Tons per Hour to Deck: _____ Type of Material: _____

Size (Min. & Max.): _____ Shape of Material: _____

% of Moisture content: _____ % of fines: _____

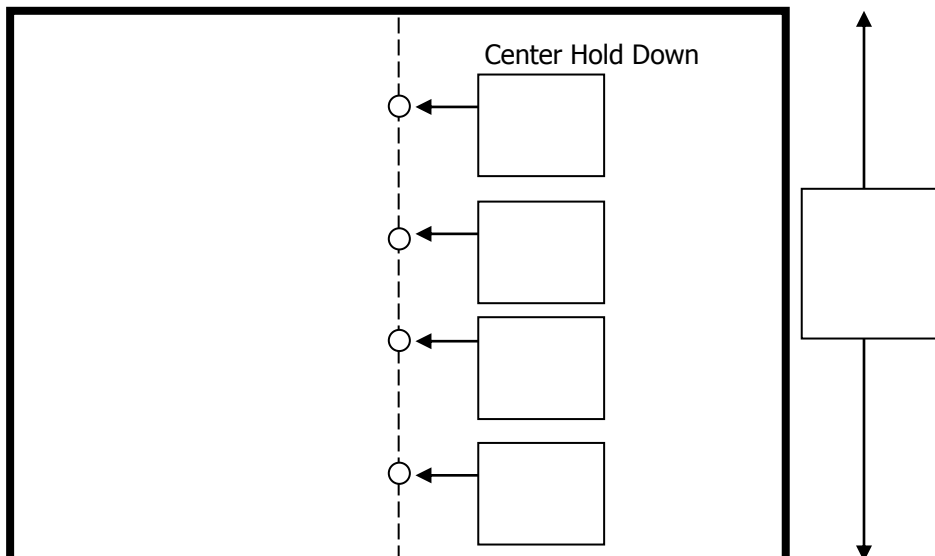
Is there pegging? Yes / No Is there blinding? Yes / No

Any additional information:

Screen Information

Required Aperture Size: _____ *Round, Square, Slotted*

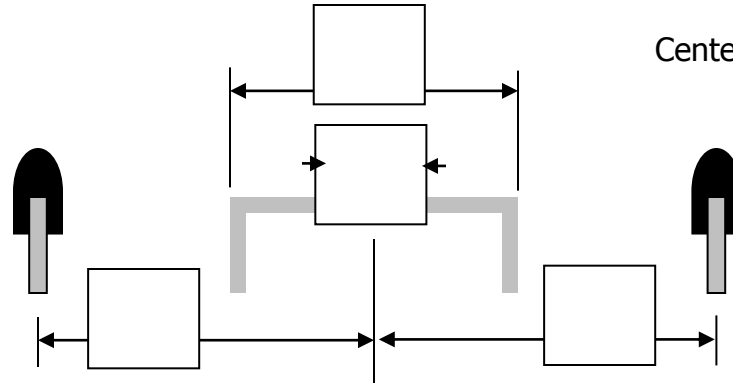
Note any special instructions on this view. (Example: Impact Areas)



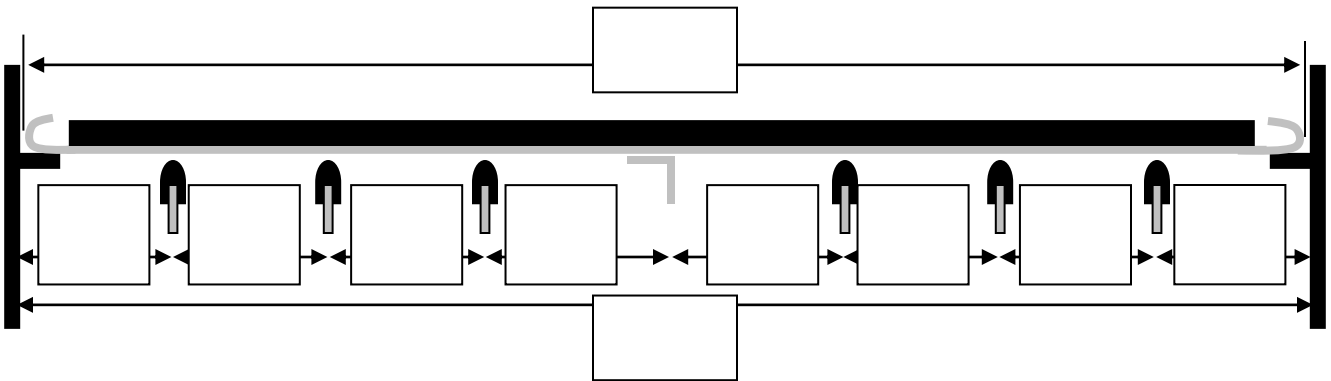
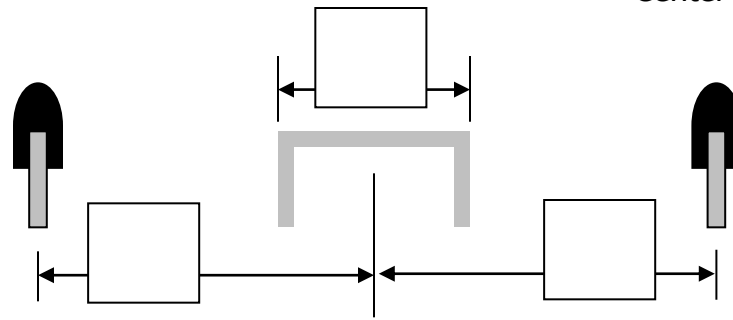
Further notations requested on the next page.

Side Tensioned Screen Application Information

Center Hook Configuration



Center Channel Configuration



Show Bucker Bar Locations

